



Wall Mount used for the MimioDisplay™ touch display

VESA 200/300/400/600/800x400/800x400 - Universal up to 1100mm X 575mm
52" to 90" (132cm to 229cm) - Up to 120Kgs






Sahara Model No.
1150033

Factory No.
Z0840XW

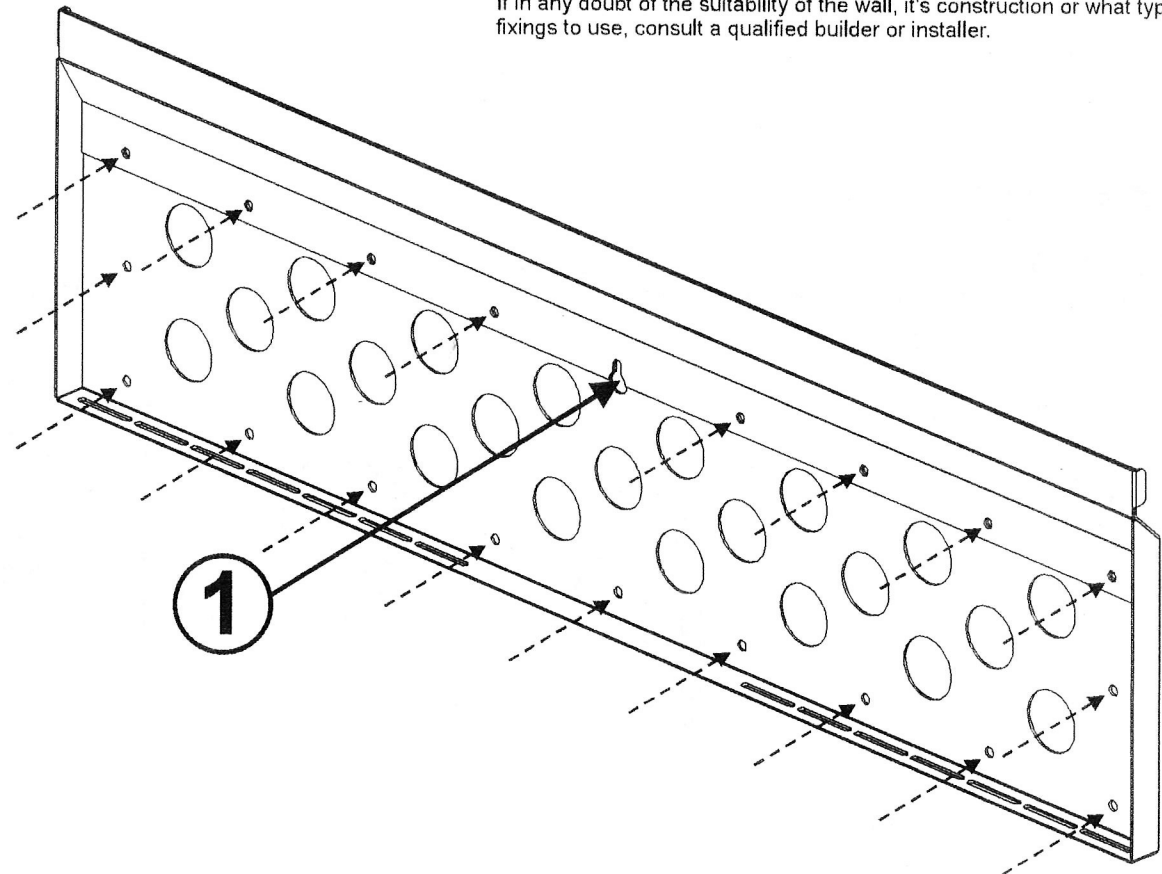
Read these instructions carefully before installing your equipment.
Install the wall bracket in a suitable location using fixings which are appropriate for the wall material and structure. Consult a qualified builder if you're in any doubt as to the structural integrity of the wall.
Do not attempt to alter or modify any part of the wall mount or its attachments.
Do not use if any parts are broken or appear to be damaged.
Tighten all bolts and fixings securely. Only use fixings provided with this bracket.
Do not mount your TV close to sources of heat or moisture.
Always have a minimum of two persons to install the wall bracket and TV.

Mounting instructions Heavy Duty Tilting Wall Mount suitable for CleverTouch 55" - 80"
VESA 200/300/400/600/800x400/800x600 - Universal up to 1050mm X 650mm

TV Fixing Kit 52" to 90" (132cm to 229cm) - Up to 120Kgs

	A - M6 x 30mm B - M6 x 50mm C - M8 x 30mm D - M8 x 50mm	X4
	E - M8	X4
	F - M8 x 6.5mm G - M6 x 6.5mm	X4
	H - M8 x 6mm I - M8 x 12.5mm	X4
	J - M6 x 20mm	X2

1 Mount Bracket To Wall



NOTE:
For ease of installation mount bracket on wall using position 1 and mark other positions using a spirit level. Then remove fixing from position 1, remove bracket and drill other positions.
Use Fixings suitable for your type of wall construction. (Not included).
Use All available fixing points.
If in any doubt of the suitability of the wall, it's construction or what type of fixings to use, consult a qualified builder or installer.