

# MimioFrame touch board kit

The MimioFrame touch board kit turns your conventional whiteboard into a touch board in under 15 minutes using your existing classroom whiteboard, projector, and computer.

Create a touch board with ease using your conventional whiteboard. The MimioFrame touch board kit allows the teacher and multiple students to work together with **10-point Touch 360° interactivity**. Students write and manipulate objects above, below, or parallel to one another with a smooth and consistent response—making collaborative learning at the front of the classroom a reality.

- **Engage multiple users** in collaborative lessons or activities with 10 single-touch points or 5 dual-touch points.
- The frame installs directly onto your dry erase board using industrial strength tape—**no drilling, no mess, and no losing valuable whiteboard space**.
- **Includes the dynamic MimioStudio™ classroom software** and the MimioMobile™ app, which together enable collaboration and assessment at the front of the room or on almost any device. Comes with three free MimioMobile connections.
- The lightweight kit design allows for **easy installation and 75% less shipping costs** than a standard touch board.



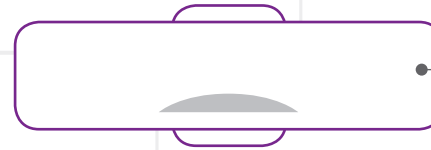
To learn more, visit [boxlight.com/mimioframe](http://boxlight.com/mimioframe) or call 866.972.1549.



# Touch-based collaboration and learning in under 15 minutes!

## TURN YOUR CONVENTIONAL WHITEBOARD INTO A TOUCH BOARD IN MINUTES

Apply the MimioFrame touch board kit to your current whiteboard to create a 10-touch collaborative learning solution in under 15 minutes—**enjoy your digital classroom of the future now.**



## LEVERAGE YOUR CURRENT RESOURCES

Use your existing projector, classroom computer, and whiteboard with the MimioFrame kit to create an almost 82 in. (diagonal) collaborative area.

## DRY ERASE SURFACE

Don't lose your current whiteboard! The MimioFrame pieces attach directly to your dry erase board so you still can use it.

## MULTIPLE STUDENTS COLLABORATING

With **10 touch points**, you'll enjoy true collaborative learning with **4, 6, or even 10 students working together.**

44.9 in.

## INFRARED TOUCH TRACKING



81.6 in.

## TOUCH INTERACTIVITY FOR LESS

Almost 6 ft wide and 4 ft tall (16:10 aspect ratio), with touch-driven interactivity to engage multiple students for less! Faster setup and installation, and **75% less expensive to ship** than a standard touch board.



## INCLUDES MIMIOSTUDIO CLASSROOM SOFTWARE

Our easy-to-learn software creates interactive multimedia lessons that engage students, inspiring them to participate in learning opportunities. MimioStudio software drives all Boxlight products, so teachers only have to learn a single, intuitive software application.

70.8 in.

## MimioFrame touch board kit

- Lightweight frame easily attaches to your current whiteboard using the included industrial strength double-sided tape
- Delivered in a small box weighing less than 9 lb
- Includes MimioStudio lesson creation, collaboration, and assessment software

[BOXLIGHT.COM/MIMIOFRAME](http://BOXLIGHT.COM/MIMIOFRAME)



## ENGAGE, COLLABORATE, AND ASSESS WITH EASE

MimioStudio collaborative and assessment software allows educators to create dynamic interactive lessons and activities. The software also opens SMART, Promethean, and PowerPoint files at the object level, enabling educators to use the interactive content they already have.

Imagine the teacher moving around the classroom while remaining in full control of the front-of-the-room display using their mobile device or MimioPad® wireless tablet? It's no problem with the three free MimioMobile app connections!



## WHOLE-CLASS LEARNING

# MimioStudio software—so easy to use and engaging, your teachers will use it every day.

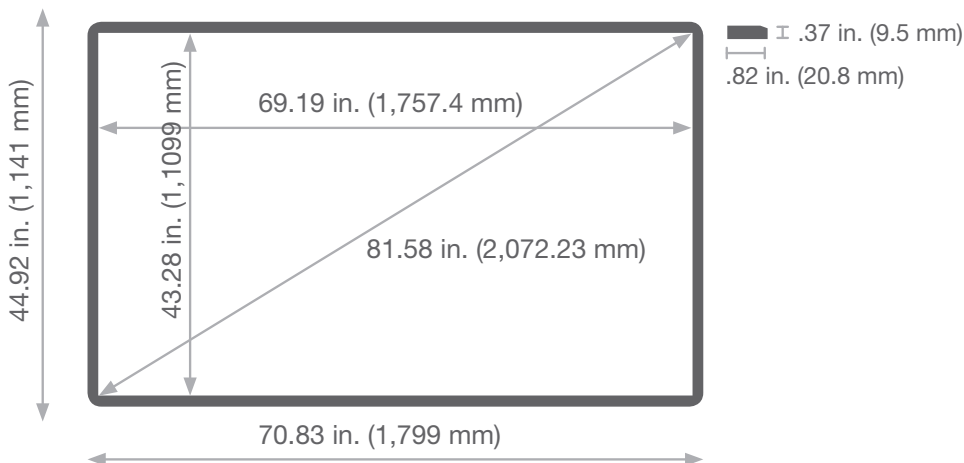
The MimioFrame touch board kit includes the dynamic MimioStudio classroom software. It connects the Boxlight products, so using other tools—from the document camera to the pen tablet—is quick and easy. MimioStudio software allows educators to create interactive lessons and collaborative activities, as well as perform real-time formative assessment. The software also opens other IWB activities, enabling educators to use the interactive content they already have. **Take learning even further with our MimioMobile app, which brings group learning and collaboration to almost any device.**



## Specifications

<b>Touch Technology</b>	Infrared Touch 360
<b>Aspect Ratio</b>	16:10
<b>Touch Points</b>	10
<b>Touch Height (Z-Depth)</b>	≈5.0 mm
<b>Attachment Method</b>	Industrial strength double-sided tape (included)
<b>OS Support</b>	Windows 7+, Chrome, Linux, Android, Mac (single touch)
<b>Net Weight</b>	4.25 lb (1.93 kg)
<b>Gross Weight</b>	8.25 lb (3.7 kg)

### DIMENSIONS AND TRACKING AREA



## What's in the Box

MimioFrame (side pieces x 2, top piece x 1, bottom piece x 1), passive stylus x 2, double-sided tape for attaching to whiteboard, corner pieces and hardware for connecting frame components, USB extension cable 15 ft x 1, MimioStudio software license, warranty card, quick start guide, installation instructions.



## Support You Can Count On

We know how important it is to feel confident in the tools you use every day, so we make sure you can count on our products and service. We offer flexible training resources, our MimioConnect™ online educator community, and US-based in-house, dedicated product specialists. Email, chat, or call us 24/7/365 and we will be there to support you.

To learn more, visit [boxlight.com/mimioframe](http://boxlight.com/mimioframe) or call 866.972.1549.

